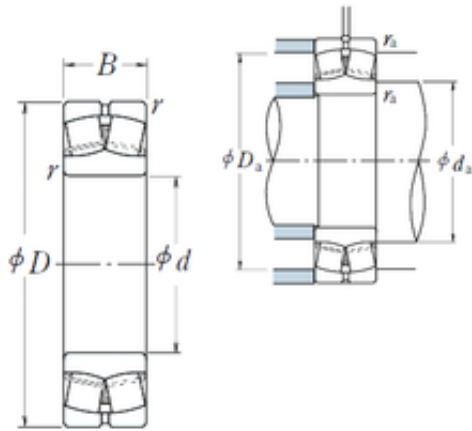




NTN BEARING CORP.



85 mm x 150 mm x 36 mm NSK 22217EAE4 spherical roller bearings

Bearing No. 22217EAE4

22217EAE4 Bearing 2D drawings and 3D CAD models

Size	85x150x36 mm
Bore Diameter	85 mm
Outer Diameter	150 mm
Width	36 mm
d	85 mm
D	150 mm
B	36 mm
C	36 mm
r min.	2 mm
da min.	95 mm
da max	101 mm
Da min	135 mm
Da max.	140 mm
ra max.	2 mm
Weight	2,54 Kg
Basic dynamic load rating (C)	250 kN
Basic static load rating (C0)	325 kN
(Grease) Lubrication Speed	3000 r/min
(Oil) Lubrication Speed	3800 r/min
Calculation factor (e)	0,22
Calculation factor (Y0)	3
Calculation factor (Y2)	4,6
Category	Spherical Roller Bearings
Inventory	0.0
Manufacturer Name	NSK



NTN BEARING CORP.

Minimum Buy Quantity	N/A
Weight / Kilogram	2.62
EAN	0029176411342
Product Group	B04311
Internal Clearance	C0-Medium
Mounting Method	Shaft Mount
Rolling Element	Spherical Roller Bearing
Bore Profile	Straight
Cage Material	Steel
Enclosure	Open
Number of Rows of Rollers	Double Row
Relubricatable	Yes
Withdrawal Sleeve	Not Applicable
Inch - Metric	Metric
Long Description	85MM Straight Bore; 150MM Outside Diameter; 36MM Width; C0-Medium Clearance; Shaft Mount; Double Row of Spherical Roller Bearings; Steel Cage Material; Open Enclosure; Relubricatable
Category	Spherical Roller Bearing
UNSPSC	31171510
Harmonized Tariff Code	84823080
Noun	Bearing
Keyword String	Spherical
Manufacturer URL	http://www.nskamericas.com
Manufacturer Item Number	22217EAE4
Weight / LBS	2.62
Adapter Part Number	Not Applicable Inch Not Applicable Millimeter
Bore	3.346 Inch 85 Millimeter
Outside Diameter	5.906 Inch 150 Millimeter



NTN BEARING CORP.

Width	1.417 Inch 36 Millimeter
bore diameter:	85 mm
maximum rpm:	4300 RPM
outside diameter:	150 mm
operating temperature range:	Maximum of +200 ° C
overall width:	36 mm
cage material:	Steel
bore type:	Straight
bearing material:	Steel
outer ring type:	Not Split
cage type:	Roller Guided
internal clearance:	C0
precision rating:	RBEC 1 (ISO Class Normal)
closure type:	Open
finish/coating:	Uncoated
lubrication hole type:	Lubrication Groove & Hole
outer ring width:	36 mm
dynamic load capacity:	310000 N
fillet radius:	2 mm
static load capacity:	325000 N
series:	222
Y3	3.1
hidYobi	22217EAE4
LangID	1
Y1	3.1
D_	150
Y2	4.6
Macha rpm	5600
B_	36
da min	95
hidTable	ecat_NSSPHR



NTN BEARING CORP.

Oil rpm	4300
Y0	3
mass	2.54
GRS rpm	3400
ra	2
TSR rpm	4000
C0	325
DE_	137.026
X0	1
Prod_Type3	SRB_CTB_CB
X1	1
X2	0.67
SIR	13.89
e	0.22
DA_	17.24
bomp	22217EAE4
Z_	20
ALP2	22
ALP1	8
ALP3	0
D_a max	140
D_a min	135
yobi	22217EAE4
HPS	HPS
ALPHA_	0.146
SDM_	119.969
r	2
KBRG	2328
SBRG	22
DI_	102.913