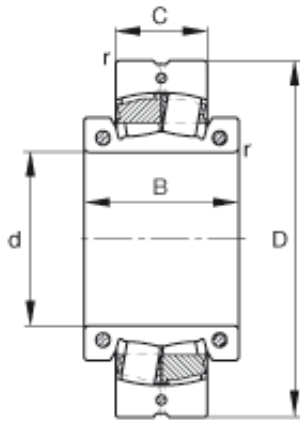




NTN BEARING CORP.

340 mm x 650 mm x 240 mm FAG 222SM340-MA spherical roller bearings



Bearing No. 222SM340-MA

| | |
|----------------|---|
| Size | 340x650x170 mm |
| Bore Diameter | 340 mm |
| Outer Diameter | 650 mm |
| Width | 170 mm |
| d | 340 mm |
| D | 650 mm |
| C | 170 mm |
| B | 240 mm |
| r_{\min} | 6 mm |
| m | 276 kg / Weight |
| C_r | 3450000 N / Dynamic load rating (radial) |
| e | 0,25 |
| Y_1 | 2,69 |
| Y_2 | 4 |
| C_{0r} | 5100000 N / Static load rating (radial) |
| Y_0 | 2,63 |
| n_G | 415 1/min / Limiting speed |
| C_{ur} | 280000 N / Fatigue limit load, radial |
| $F_{a \max}$ | 60000 N / Permissible axial load, for inner ring without axial abutment |
| M_i | 295 Nm / Tightening torque per clamping screw |
| | |

222SM340-MA Bearing 2D drawings and 3D CAD models



NTN BEARING CORP.

| | |
|-------|---|
| M_a | 120 Nm / Tightening torque per clamping screw |
| | 22272K / Designation, spherical roller bearing, unsplit |