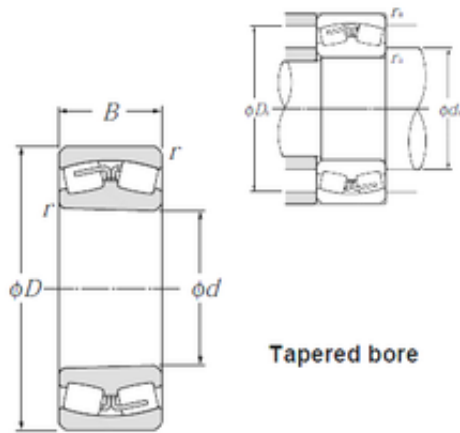




NTN BEARING CORP.

400 mm x 650 mm x 250 mm NTN 24180BK30 spherical roller bearings



Bearing No. 24180BK30

24180BK30 Bearing 2D drawings and 3D CAD models

Size	400x650x250 mm
Bore Diameter	400 mm
Outer Diameter	650 mm
Width	250 mm
d	400 mm
D	650 mm
B	250 mm
C	250 mm
r min.	6 mm
da min.	428 mm
Da max.	622 mm
ra max.	5 mm
Weight	324 Kg
Basic dynamic load rating (C)	5 100 kN
Basic static load rating (C0)	10 300 kN
(Grease) Lubrication Speed	430 r/min
(Oil) Lubrication Speed	560 r/min
Calculation factor (e)	0,38
Calculation factor (Y0)	1,73
Calculation factor (Y1)	1,77