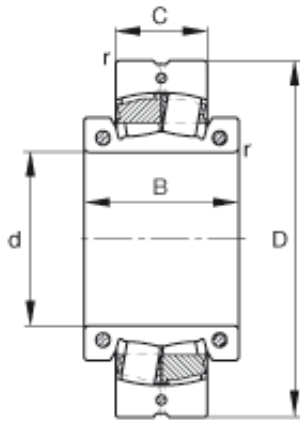




NTN BEARING CORP.

8 7/16 inch x 360 mm x 156 mm FAG 230S.807 spherical roller bearings



Bearing No. 230S.807

230S.807 Bearing 2D drawings and 3D CAD models

Size	214.313x360x92 mm
Bore Diameter	214,313 mm
Outer Diameter	360 mm
Width	92 mm
d	214,313 mm
d	8 7/16 inch
D	360 mm
C	92 mm
B	156 mm
r _{min}	3 mm
m	58,9 kg / Weight
C _r	1100000 N / Dynamic load rating (radial)
e	0,23
Y ₁	2,9
Y ₂	4,31
C _{0r}	1830000 N / Static load rating (radial)
Y ₀	2,83
n _G	730 1/min / Limiting speed
C _{ur}	152000 N / Fatigue limit load, radial
F _{a max}	32000 N / Permissible axial load, for inner ring without axial abutment
M _i	120 Nm / Tightening torque



NTN BEARING CORP.

	per clamping screw
M_a	35 Nm / Tightening torque per clamping screw
	23048K / Designation, spherical roller bearing, unsplit
	H3048.807
SNP3048.807	Designation, adapter sleeve, US design