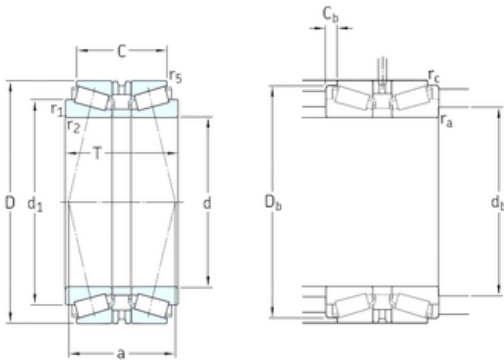




NTN BEARING CORP.

SKF 32038T146X/DB42C220 tapered roller bearings

Bearing No. 32038T146X/DB42C220



32038T146X/DB42C220 Bearing 2D drawings and 3D CAD models

Size	190x290x146 mm
Bore Diameter	190 mm
Outer Diameter	290 mm
Width	146 mm
d	190 mm
D	290 mm
T	146 mm
C	114 mm
a	142 mm
d1	240 mm
r1 min.	3 mm
r2 min.	3 mm
r5 min.	1 mm
Cb min.	16 mm
db min	204 mm
Db min.	279 mm
ra max.	2,5 mm
rc max.	1 mm
Weight	31,5 Kg
Basic dynamic load rating (C)	1120 kN
Basic static load rating (C0)	2400 kN
Fatigue load limit (Pu)	224
Reference speed	1200 r/min
Limiting speed	2000 r/min
Calculation factor (e)	0,44



NTN BEARING CORP.

Calculation factor (Y0)	1,4
Calculation factor (Y1)	1,5