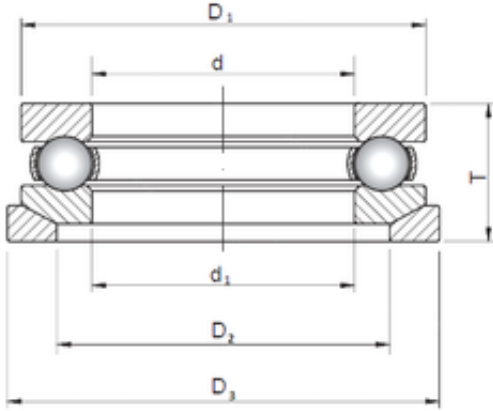




NTN BEARING CORP.

ISO 53416U+U416 thrust ball bearings

Bearing No. 53416U+U416



Bore Diameter	80 mm
Outer Diameter	170 mm
d	80 mm
d1	83 mm
D	170 mm
D1	170 mm
T	78 mm
D2	125 mm
D3	175 mm

53416U+U416 Bearing 2D drawings and 3D CAD models