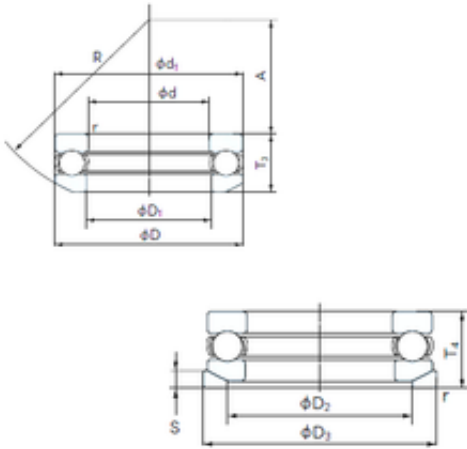




NTN BEARING CORP.

NACHI 53324U thrust ball bearings

Bearing No. 53324U



53324U Bearing 2D drawings and 3D CAD models

Size	120x210x80 mm
Bore Diameter	120 mm
Outer Diameter	210 mm
Width	80 mm
d	120 mm
D	210 mm
T	80 mm
d1	205 mm
r min.	2.1 mm
A	63 mm
D1	123 mm
D2	165 mm
D3	220 mm
R	160 mm
S	22 mm
Weight	12.4 Kg
Basic dynamic load rating (C)	310 kN
Basic static load rating (C0)	870 kN
(Grease) Lubrication Speed	790 r/min