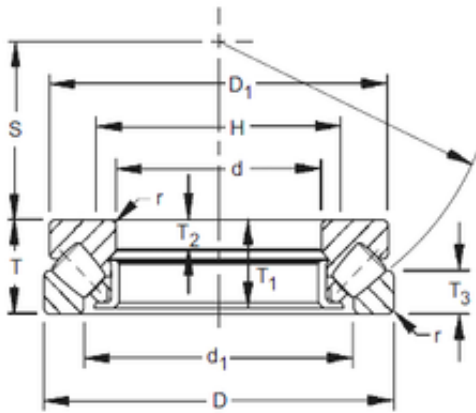




NTN BEARING CORP.

500 mm x 870 mm x 81 mm Timken 294/500 thrust roller bearings

Bearing No. 294/500



294/500 Bearing 2D drawings and 3D CAD models

Size	500x870x224 mm
Bore Diameter	500 mm
Outer Diameter	870 mm
Width	224 mm
d	500 mm
D	870 mm
T	224 mm
B	81 mm
C	107 mm
r max	7,1 mm
T1	216 mm
d1	661 mm
D1	830 mm
H	670 mm
S	290 mm